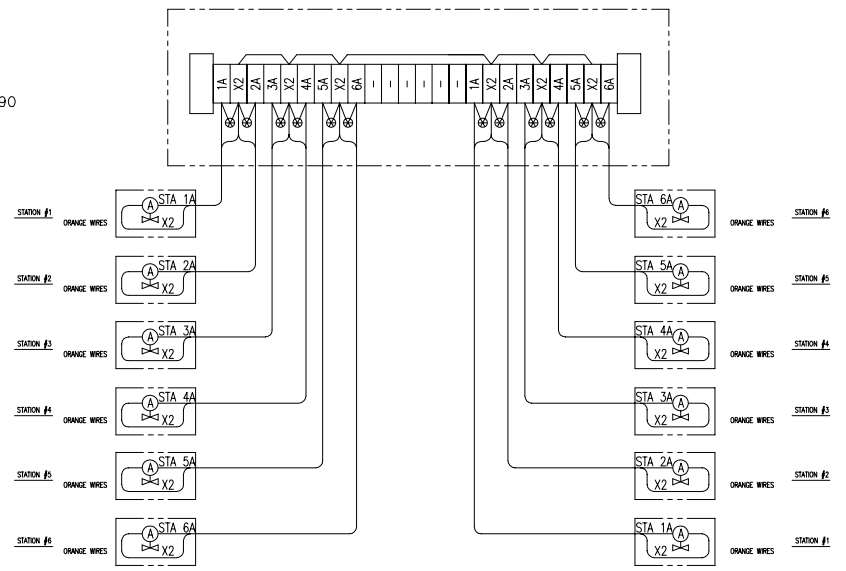


- #153SA415K013A 120/60HZ. SINGLE SOL. VALVE
- #152SA400K 120/60HZ. SINGLE SOL. VALVE UNIT ONLY
- #MK15-K1 VALVE REPAIR KIT
- #237-235 120/60 SOLENOID CAPSULE
- #209-246 SPOOL AND SLEEVE ASSY
- #M30-06FRL 3/4" F/R/L ASSEMBLY
- #F30B-06 3/4" FILTER
- #EKF30B FILTER ELEMENT
- #BKF30 PLASTIC BOWL KIT
- #R30R-06G 3/4" REGULATOR
- #RKC30 CAGE KIT
- #RKR30R REPAIR KIT
- #L30L-06 3/4" LUBRICATOR
- #RKL10T SIGHT DOME KIT
- #BKL30 BOWL KIT
- #S30C-06AEGMP 3/4" SOFT START QUICK DUMP VALVE 120/60
- #RKS30C REPAIR KIT
- #SKS01AE 120/60 SOLENOID

HENDERSON FLUID POWER CO.
SYSTEM NO. 22VPA1096-7

LIST OF MATERIAL	
MK. NO.	DESCRIPTION
1	NUMATICS MARK 15 VALVE MANIFOLD ASSEMBLY, 6 STATION. STA. #1 THRU #6
2	#153SA415K013A 120/60HZ. SINGLE SOLENOID SPRING RETURN VALVE UNIT ON 3/8" NPT BASE W/ 48" LEADS ASSEMBLY KIT #AK151-6
2	#C-SD36308 HOFFMAN ENCLOSURE
3	#C-P3630 HOFFMAN PANEL
4	#1492-N23 A-B END ANCHOR
5	#1492-N18 A-B END BARRIER
6	24 #1492-F1 A-B TERMINAL
7	#1492-N1 A-B CHANNEL 10" LONG
8	#E2X3LG6 PANDUIT DUCT, 2"X3", 9" LONG
9	#C2LG6 PANDUIT COVER, 9" LONG
10	#M4MN 1/2" NPT NUMATICS MUFFLER
11	2 #6520-08-08 CAMOZZI SWIV. ELBOW 1/2"
12	2 #6550-08-00 CAMOZZI UNION ELBOW 1/2"
13	10 #6510-08-08 CAMOZZI MALE CONN. 1/2"
14	60 #1411-08-NT CAMOZZI TUBING 1/2"
15	24 #6590-06-00 CAMOZZI BULKHEAD 3/8"
16	24 #6510-06-06 CAMOZZI CONN 3/8T-3/8P
17	-
18	6 #129-103 NUMATICS 1/2" PIPE PLUG
19	6 #134-150 NUMATICS 1/2" PIPE BULKHEAD
20	- #1411-08-NT CAMOZZI 1/2" TUBING
21	- #1411-06-NT CAMOZZI 3/8" TUBING
22	-
23	-



NOTE:
BROWN WIRES NOT USED

HENDERSON FLUID POWER CO.
522 PARKWAY VIEW DRIVE
PITTSBURGH, PA. 15205
412-787-3115 FAX 412-787-5040

NO.	DATE	BY	REVISION
REVISIONS			

SCALE: 0=0	DRAWING NUMBER
DRAWN BY: PKJ	
DATE: 5/21/98	
SHEET 1 OF 1	

HENDERSON WEB DESIGN DRAWINGS WEBDWG2.DWG. 03/10/03 05:06:36