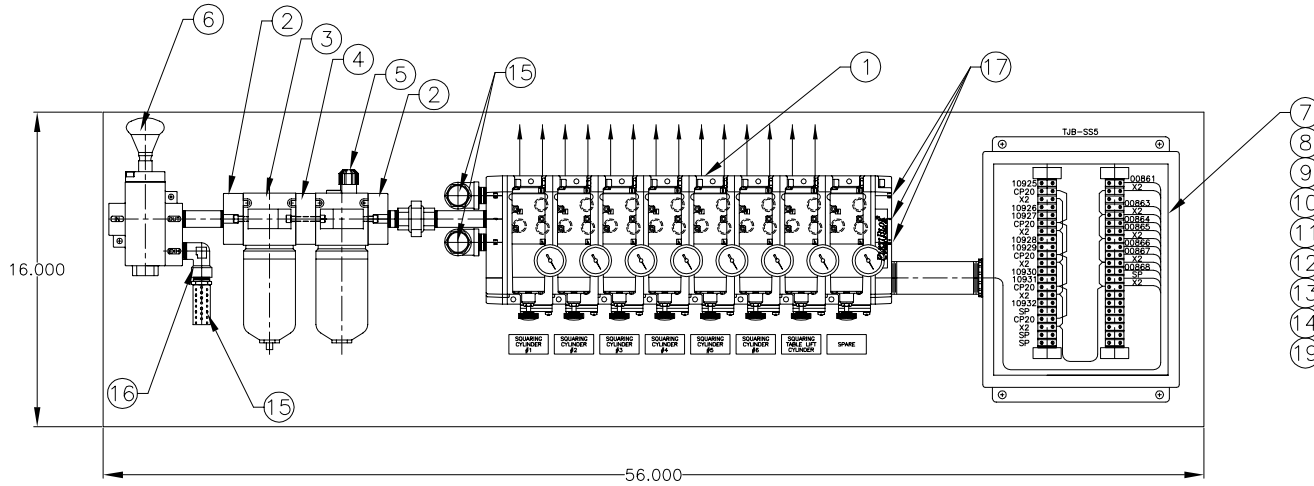
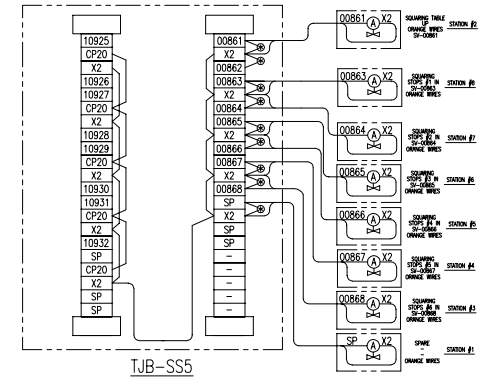
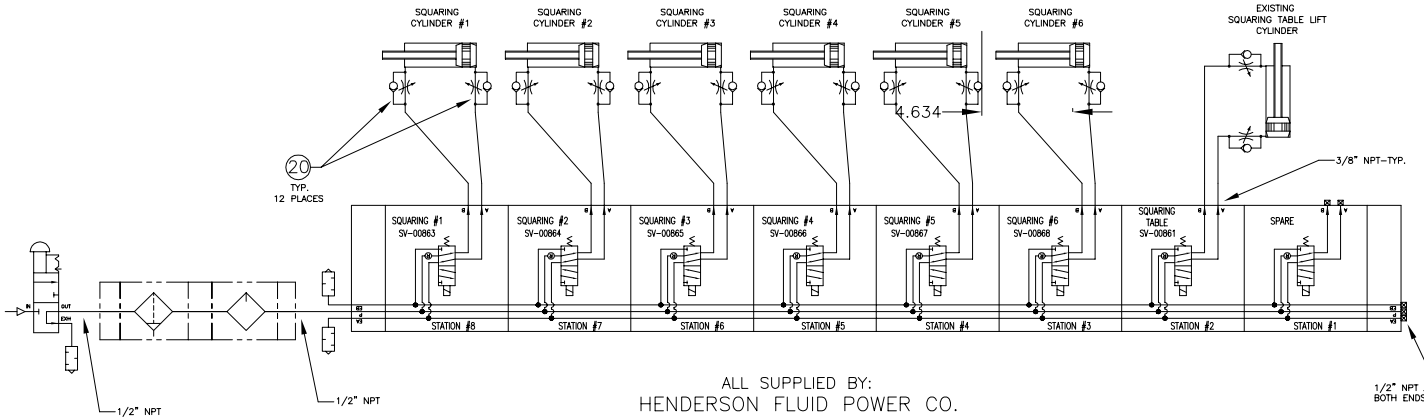


NOTE:
ORANGE SOLENOID LEADS TO "A" SOLENOID
BROWN SOLENOID LEADS TO "B" SOLENOID



LIST OF MATERIAL		
MK.	NO.	DESCRIPTION
1	1	NUMATICS MARK 15 VALVE MANIFOLD ASSEMBLY, 8 STATION. STA. #1 THRU 8 #1525A400K 120/60HZ. SINGLE SOLENOID SPRING RETURN VALVE UNIT WITH #153RS115J028Z SINGLE PRESSURE REGULATOR ON 3/8" NPT BASE. ASSEMBLY KIT #AK151-8
2	1	#MK30AA-04 NUMATICS FLEXIBLOK END PLATE 1/2" NPT
3	1	#F30B-04C NUMATICS FLEXIBLOK FILTER, 1/2" NPT
4	1	#KK30FL NUMATICS FLEXIBLOK SPACER BLOCK
5	1	#L30L-04C NUMATICS FLEXIBLOK LUBRICATOR, 1/2" NPT
6	1	#VL30N04Y NUMATICS 1/2" NPT MANUAL LOCK OUT VALVE
7	1	#A-1210CH HOFFMAN ENCLOSURE
8	1	#A-12P10 HOFFMAN PANEL
9	4	#1492-N23 A-B END ANCHOR
10	2	#1492-N18 A-B END BARRIER
11	42	#1492-F1 A-B TERMINAL
12	2	#1492-N1 A-B CHANNEL 10-1/2" LONG
13	1	#BLSG125 APPLETON SEAL LOCK NUT
14	1	#PE-5 ADALET 1-1/4" BUSHING
15	3	#M4MN 1/2" NPT NUMATICS MUFFLER
16	1	#2020-08-00 CAMOZZI STR. ELBOW 1/2"
17	3	#129-103 NUMATICS 1/2" PIPE PLUG
18	2	#129-102 NUMATICS 3/8" PIPE PLUG
19	12	#V130LA20B G.E. SURGE SUPPRESSOR 120V
20	12	#1FCRN NUMATICS 1/8" FLOW CONTROL
21	-	-
22	-	-



ALL SUPPLIED BY:
HENDERSON FLUID POWER CO.
412-787-3115

HENDERSON FLUID POWER CO.
522 PARKWAY VIEW DRIVE
PITTSBURGH, PA. 15205
412-787-3115 FAX 412-787-5040

SCALE:	DRAWING NUMBER
DRAWN BY:	
DATE:	
SHEET OF	

HENDERSON WEB DESIGN DRAWINGS WEB.DWG. 05/10/03 05:05:12 PM